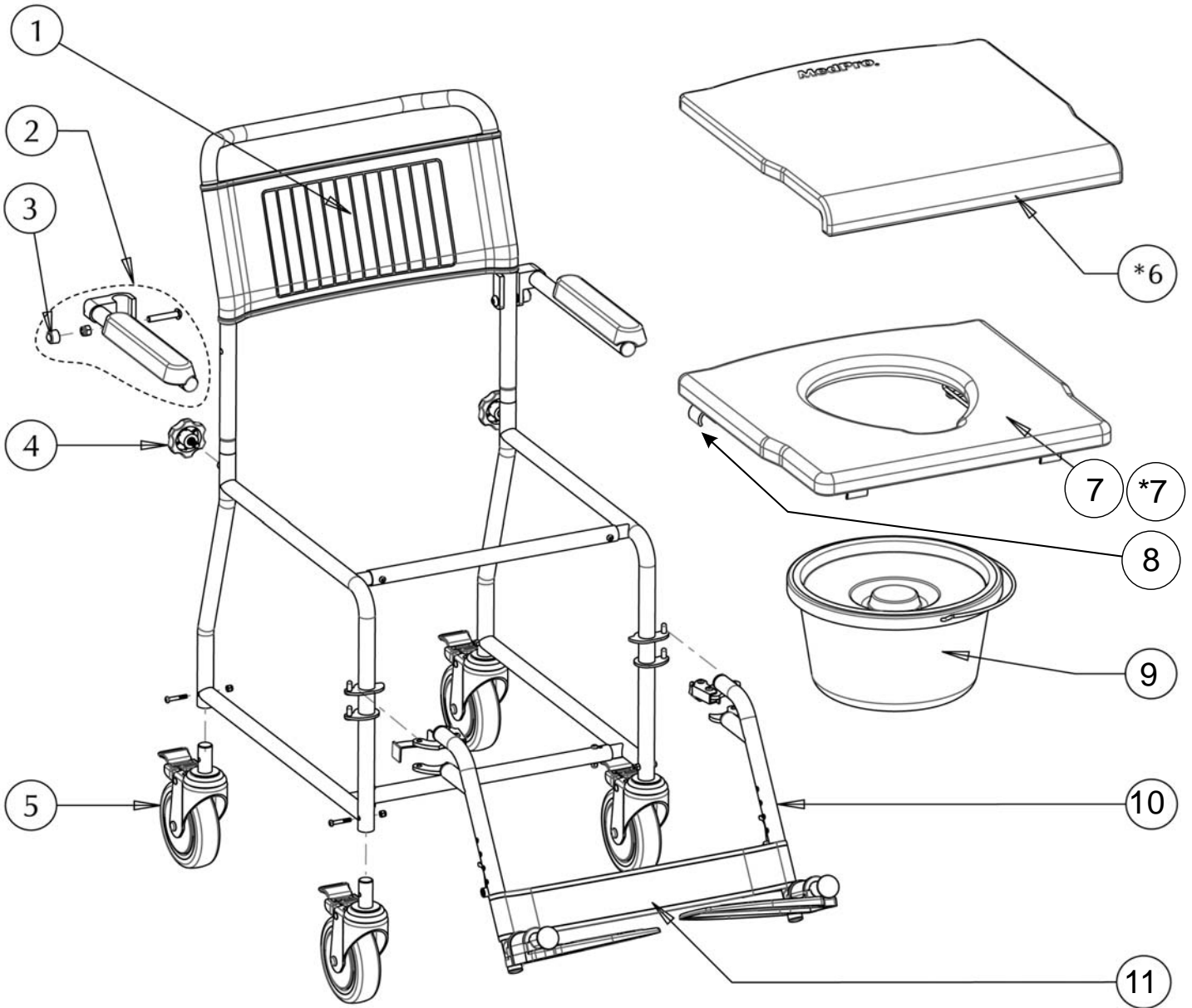


770-375 MedPro® Euro Commode with flip-up armrests



770-375
MedPro® Euro Commode with flip-up armrests

Item #	AMG Part #	Item Description	Qty Per Unit	Pkg Qty
1.	A01-581	Vinyl Backrest Upholstery, Blue	1 EA	1 EA
2.	B01-456	Blue Flip-up Armrest with Hardware (L&R)	1 PR	1 PR
3.	770-369	Black Cap	1 PR	1 PR
4.	A01-411	Grey Tightening Knob for Backrest (2ea / set)	1 ST	1 ST
5.	770-364	5" Locking Caster	2 EA	1 EA
7.	B01-261	Off-White Blow-Molded Seat with Pail Support Brackets	1 EA	1 EA
8.	B01-400	Grey Plastic Seat Clips with Hardware (4 Grey Clips & 8 Philips Screws M5x16)	1 ST	1 ST
9.	B01-710	Pail and Cover	1 EA	1 EA
10.	B02-306	Swing-Away Footrests, Tool-free Adjustable (Left & Right)	1 PR	1 PR
11.	A01-432	Velcro Heel Strap	1 EA	1 EA

Accessories:

*6.	A01-436	Blue Soft Seat Cover	1 EA	1 EA
*7.	770-380	Off-White Blow-Molded Seat with Bed Pan Support Brackets	1 EA	1 EA