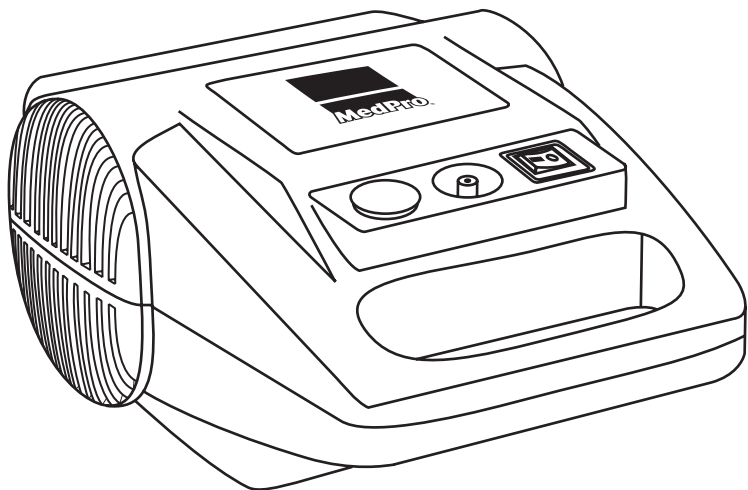



**MedPro** COMPRESSOR  
NEBULIZER



## Instructions

Read thoroughly before operating the nebulizer  
Save these instructions for future reference

# TABLE OF CONTENTS

Important safety information.....	1
Getting started.....	4
Set-up.....	5
Operating instructions.....	7
Cleaning instructions.....	9
Disinfecting instructions.....	10
Maintenance and repair.....	11
1 year limited warranty.....	12
Technical specifications.....	13


This device is designed to efficiently deliver physician-prescribed medication to the bronchial lung passages. With proper care, it will provide you with many years of reliable treatment.

This device is intended for use in the treatment of respiratory disorders. It functions by creating a stream of compressed air which, when it enters the nebulizer, converts a liquid solution of medication into an aerosol mist for easy inhalation. This system should only be used as prescribed by a physician, with the prescribed medication.

We encourage you to thoroughly read this instruction manual to learn about the features of this product. Any use of this device other than its intended use should be avoided.

**READ ALL WARNINGS BEFORE USING YOUR NEBULIZER.**

Failure to read and follow all precautions could result in personal injury or equipment damage.

 **WARNING:** DO NOT USE for longer than 20 minutes at one time. Always allow at least 40 minutes between uses before using again. Extended use beyond 20 minutes or failure to follow this warning can cause overheating of the motor and damage this device.

 **Product precautions**

1. To avoid an electrical shock, keep the unit away from water. Do not immerse the power cord or the unit in any liquid. Do not use while bathing. Do not reach for a unit that has fallen into water – immediately unplug the unit.
2. Never operate the nebulizer if it has any damaged parts (including power cord) or if it has been dropped or submersed in water.
3. The compressor should not be used where flammable gas, oxygen or aerosol spray products are being used.
4. Disconnect the compressor from the electrical outlet before cleaning or filling and immediately after each use.
5. Do not use attachments other than those that come with this product: this may damage the unit.

**To reduce the risk of serious or fatal injury from electrocution, fire or burns, or damage to the unit:**

6. Before use, check the serial number label on the bottom of the compressor unit to ensure that the voltage and current indicated on the label correspond to the voltage and current available.
7. Keep all electrical cords away from heated surfaces. Do not overload wall outlets or use extension cords.
8. Never drop or insert any object in the compressor's openings.
9. Do not open or disassemble this product, or spray liquids on the compressor's housing. If experiencing difficulties, send to a medical equipment service center for inspection and repair.
10. Do not use the nebulizer while operating a vehicle.
11. EMI/RFI recommendations:
  - a) Do not turn on or use hand-held personal communication devices such as a cell phone, an ipod or a CB radio while the compressor is turned on.
  - b) Be aware of any nearby transmitters (radio, television, microwave, etc.) and avoid operating the compressor close to these types of transmitters.
  - c) Always unplug the compressor immediately after each use.
  - d) Be aware that adding accessories or components, or modifying the compressor, may make it more susceptible to EMI/RFI.
  - e) Never block the air openings of the compressor or place it where the air openings may be obstructed.

**⚠ Nebulizer and accessories safety precautions**

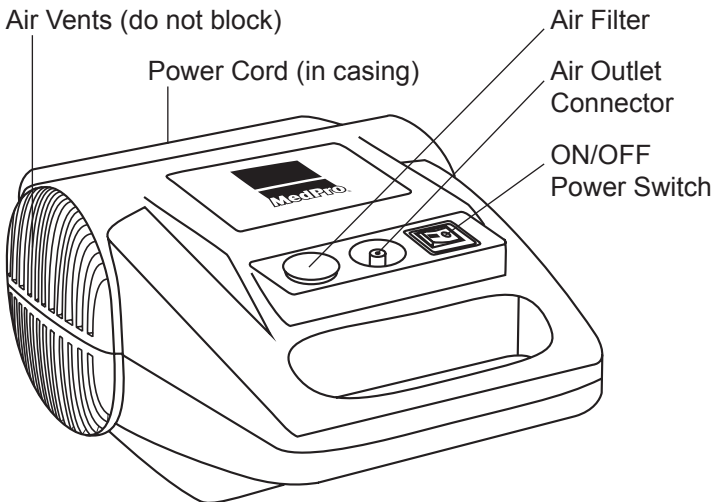
12. The tubing and accessories are for single-patient use only. Do not share tubing and accessories.
13. To reduce the risk of increased bacterial growth, infection, illness or injury from contamination, thoroughly clean and dry all parts and accessories and thoroughly dry the tubing of any moisture or condensation at the end of every treatment, following the instructions in this manual.
14. Cleaning the nebulizer unit after treatment is not enough: the accessories must also be regularly sterilized and disinfected between treatments, to prevent serious or fatal illness caused by contamination.
15. Never use tubing with a clogged nozzle. If the nozzle is clogged, the aerosol mist will be reduced, altered or stopped, which will diminish or eliminate the effectiveness of the treatment. If clogging occurs, replace with the same model.
16. Close supervision is necessary when this product is used by or near children and/or physically or mentally impaired persons. Never use this unit when sleeping or drowsy.
17. This product contains small parts that may represent a choking hazard for small children. The tubing also represents a strangulation hazard.

**⚠ WARNING: Always ensure close adult supervision when administering treatment to a child. Do not leave a child unattended during treatment.**

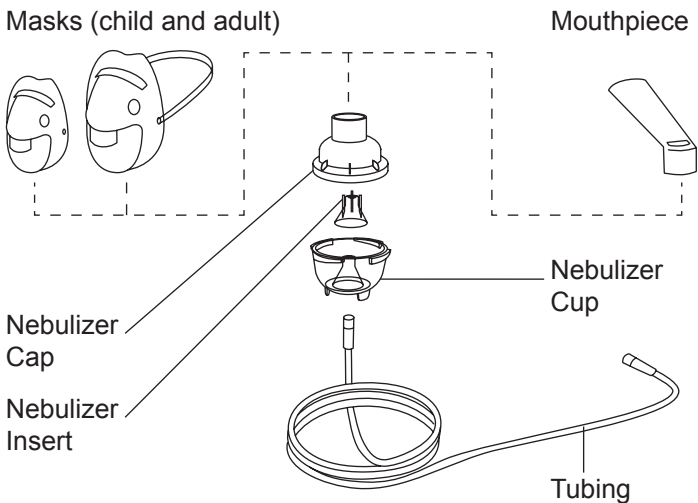
18. Children under the age of 3, as well as any patient who is unable to correctly use this unit with a mouthpiece under supervision, should use a mask.
19. Before use, ensure that the tubing and accessories are installed firmly in place. Use of improperly assembled tubing or accessories could alter delivery of medication, and therefore the effectiveness of treatment.

# GETTING STARTED

## NEBULIZER COMPRESSOR UNIT



## NEBULIZER ASSEMBLY AND ACCESSORIES



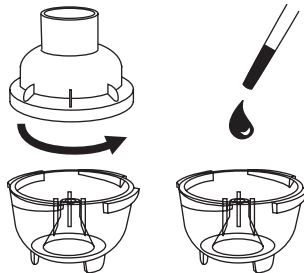
NOTE: before first use, verify that all the components illustrated are enclosed. If you did not receive all the components listed, please contact the merchant where you purchased this compressor nebulizer.

It is always a good idea to keep extra tubing and accessories, as well as an extra air filter, on hand at all times. They may be needed if parts become lost, soiled or damaged. For more information on how to purchase parts, please see your pharmacist or visit our website at: [www.amgmedical.com](http://www.amgmedical.com)

1. Wash hands with soap and warm water, and dry completely with a clean towel.
2. Place the compressor on a clean, dust-free, stable and flat surface. **Note : Check the filter monthly or every 10 – 12 treatment and replace if dirty, clogged or wet to ensure proper operation.**

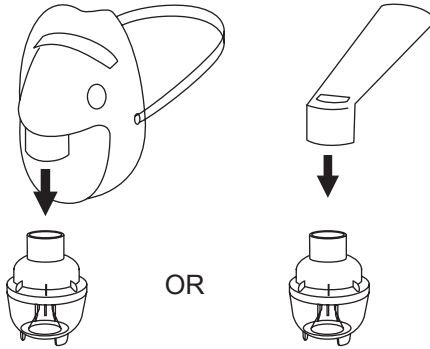
**⚠ Tubing and accessories are NOT sterile from package.**

3. Ensure that the tubing and accessories have been cleaned and / or disinfected before first use, as well as after the last treatment of the day. Refer to the cleaning instructions on page 9 of this manual.
4. Remove the nebulizer cap, as illustrated, by turning it counter-clockwise until it stops and lifts up.
5. Using an eyedropper or a syringe, fill the nebulizer cup with the prescribed medication. Do not fill more than 8 ml per treatment.
6. Close the nebulizer cap and turn clockwise to tighten shut.

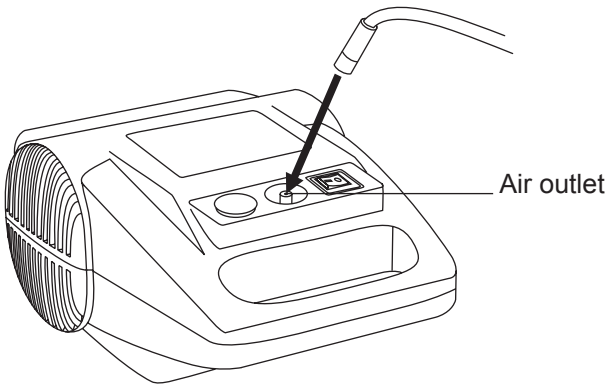


# SET-UP

7. If using a mask, press it directly into nebulizer cap, as illustrated.
8. If using the mouthpiece, press it directly into the nebulizer cap, as illustrated.

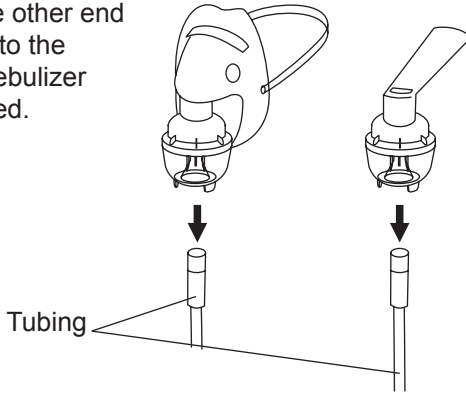


9. Press one end of the tubing firmly into the air outlet located on the front of the compressor unit. Ensure that the tubing is pushed all the way onto the air outlet. The tubing is designed to fit tightly.



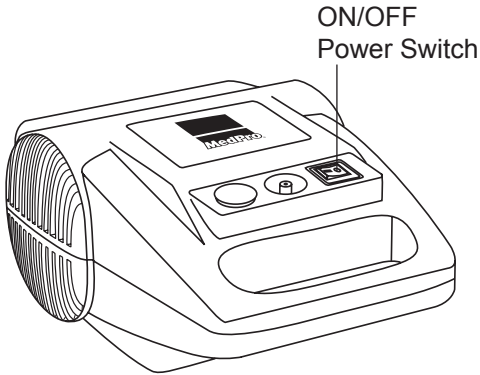


10. Firmly press the other end of the tubing onto the bottom of the nebulizer cup, as illustrated.



## SET-UP

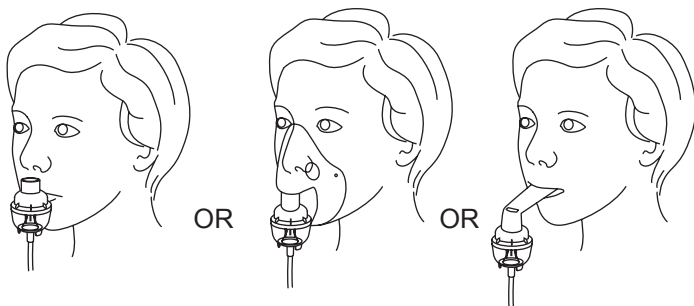
- 
1. Take the power cord out and plug into an electrical outlet.
  2. Locate the power switch on the front of the unit, and switch to the "ON" position.



## OPERATING INSTRUCTIONS

# OPERATING INSTRUCTIONS

3. Check for moisture leakage near the connections and tighten as necessary.
4. Hold the air intake near the nose. If using an optional mask, install mask on the face as illustrated. If using a mouthpiece, hold the mouthpiece in the mouth, as illustrated.




5. Inhale the liquid medication mist.
6. When there is no more liquid medication in the nebulizer, turn the power switch to the "OFF" position.
7. Unplug the power cord from the electrical outlet and tuck in into the cord storage opening.
8. Detach the tubing and accessories from the compressor unit.
9. Clean and sterilize the tubing and accessories.



**WARNING:** DO NOT USE for longer than 20 minutes at one time. Always allow at least 40 minutes between uses before using again. Extended use beyond 20 minutes or failure to follow this warning can cause overheating of the motor and damage this device.

1. Disconnect the tubing from the compressor and from the bottom of the nebulizer cup.
2. If there is any moisture (condensation) in the tubing, let the compressor run with only the tubing attached to it for 2-3 minutes. The warm air from the compressor will dry out the tubing. Alternatively, you can dry the tubing by removing it from the compressor and hanging it with the ends down to allow the moisture or condensation to drain out and evaporate. Use a clean damp cloth to wipe the tubing's exterior.
3. Disassemble the accessories.
4. Wash all parts with warm water and liquid dish soap. **DO NOT WASH THE TUBING.**
5. Rinse thoroughly with warm water and shake to remove remaining water.
6. Air dry or hand dry the nebulizer parts on a clean, lint-free cloth. Reassemble nebulizer when parts are dry and store until next use.
7. You can also wash the accessories in the dishwasher's top rack. Masks cannot be washed safely in the dishwasher. **DO NOT WASH THE TUBING.** Place the parts in a dishwasher basket and place the basket on the top rack of the dishwasher. Remove and dry when the washing cycle is complete.

## DISINFECTING INSTRUCTIONS

1. Clean the nebulizer components and accessories as described on page 9. Every other treatment day, soak the components in a solution of 1 part distilled white vinegar and 3 parts hot tap water for 1 hour. DO NOT SOAK THE TUBING. You can substitute commercially available respiratory equipment disinfectant for the vinegar – follow manufacturer's instructions for mixing.
  2. Rinse all parts thoroughly with warm tap water and dry with a clean, lint-free cloth. Discard vinegar solution when disinfecting is complete.
  3. Tubing and accessories must be stored properly and must be sterilized periodically after use.
-  **The tubing and accessories are for single-patient use only. Do not share tubing and accessories with other users.**
4. To clean the compressor unit, wipe with a clean, damp cloth.

**Air filter:** The air filter on the top panel of the compressor unit is bright white or yellow when new. With use, it will turn grey, which means that it needs to be replaced. A new filter should last up to 500 hours of use before it needs to be replaced. The filter also needs to be replaced immediately if it gets wet or becomes clogged. To replace the air filter, ensure that the compressor is turned off, then open the air filter cover to take out the air filter and replace it with a new one. Place the cap back into the socket of the compressor and snap the filter cover back in place.

**NOTE:** Do not attempt to wash and reuse the air filter. Do not use substitute filter material, as the nebulizer might get damaged.

Never operate the nebulizer if it is improperly or incompletely assembled, or damaged. Only use MedPro parts, accessories, tubing and attachments for the nebulizer. For information about accessories, visit: [www.amgmedical.com](http://www.amgmedical.com) or ask your pharmacist. Use of other parts, accessories, tubing or attachments may damage the nebulizer or cause improper function. Do not open or disassemble the compressor unit at any time. This action will void the warranty. Repairs, service and maintenance should be carried out only by a technician.

# 1 YEAR LIMITED WARRANTY

**A.M.G. Medical Inc.** warrants this product to be free from defects in material and workmanship for a period of one (1) year. Any alterations, abuse, misuse or accidental damage voids this warranty.

For replacement or repair under warranty, please call:  
**1-800-363-2381** (Monday to Friday, 8:30 am to 5 pm EST).

Dimensions  
(compressor only): 8.75”(L) x 6.34”(W) x 3.94”(H)

Weight  
(compressor only): 4.29 lbs

Electrical requirements: 115-120V / 60Hz

Power consumption: 0.6A / 68 W under normal load

Particle size: 0.5µm to 5µm

**Operating conditions**

Ambient temperature: 10°C ~ 40°C (50°F ~ 104°F)

Ambient humidity: 30% to 70% RH



Operating pressure range: 86 to 106 kPa (12.5 to 15.3 psi)

**Transport / Storage**

Ambient temperature: -25°C ~ 70°C (-13°F ~ 158°F)

Ambient humidity: 10% to 90% RH

Pressure range: 86 to 106 kPa (12.5 to 15.3 psi)

Equipment class & type: Class II equipment  
double insulated    
Type B

Operation cycles: On for 20 min. / Off for 40 min.

Questions? Comments?  
**1-800-363-2381 • [www.amgmedical.com](http://www.amgmedical.com)**

**Made and printed in China for / Fabriqué et imprimé en Chine pour :**



**A.M.G. Medical Inc.** 8505 Dalton, Montréal, QC H4T 1V5  
Canada • **1-800-363-2381**

**Distributed in the USA by / Distribué aux É.-U par :**

**AMG Medical, Inc. (USA)** 8396 State Route 9, West Chazy, NY 12992  
USA • **1-888-412-4992**



**27VM  
E466777**

**MEDICAL EQUIPMENT  
WITH RESPECT TO ELECTRICAL SHOCK,  
FIRE AND MECHANICAL HAZARDS ONLY  
IN ACCORDANCE WITH UL60601-1  
AND CAN/CSA C22.2 NO. 601.1**